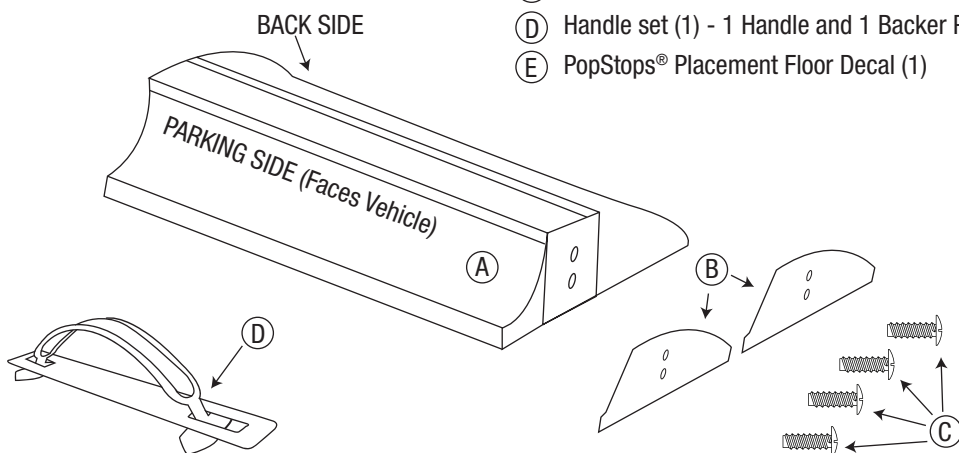


# GARAGE STOPS & WHEEL CHOCKS

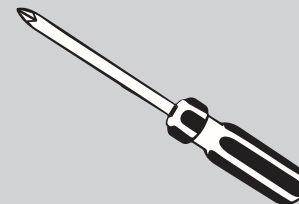


## WHAT'S INCLUDED:

- (A) PopStops® Unit (1) - based on your selected purchase size
- (B) End Caps (2) - 1 Left and 1 Right
- (C) Stainless Steel Screws (4)
- (D) Handle set (1) - 1 Handle and 1 Backer Plate
- (E) PopStops® Placement Floor Decal (1)



## TOOLS NEEDED:



Phillips Head Screwdriver

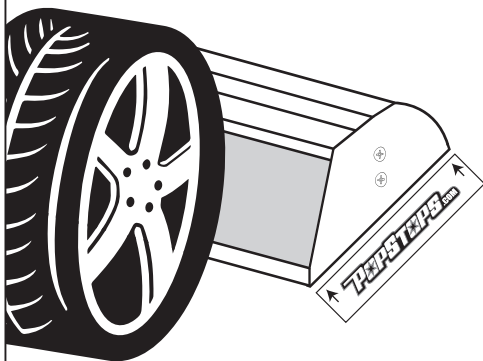
**NOTE: NEVER USE A DRILL. OVER TIGHTENING MAY STRIP THE SCREWS OR CRACK THE END CAPS**



**Graphic Inserts for a PopStop® can be purchased separately or pre-installed, if bought as part of a PopStops Combo Set. Based on your purchase, graphic inserts will either be included inside the box or shipped separately.**

## PLACING FLOOR DECAL

Mark the perfect spot in your garage for your PopStops® unit so it can always be put back in the correct place if it's moved. The decal will not hurt your garage surface and can be removed safely.



- STEP 1:** Make sure garage surface is clean and free of debris.
- STEP 2:** Park your car in the desired stopping point in your garage.
- STEP 3:** Place the PopStops® unit against either the front left or right tire (*your choice*).
- STEP 4:** If you are satisfied with the location, place your PopStops® Floor Decal with the arrows pointing to the front and back edges.

## IMPORTANT TIPS:

**DO NOT APPROACH THE UNIT AT A HIGH RATE OF SPEED INSIDE A GARAGE.**

**GARAGE STOPS:** The parking side faces your vehicle and is where your tire lands.

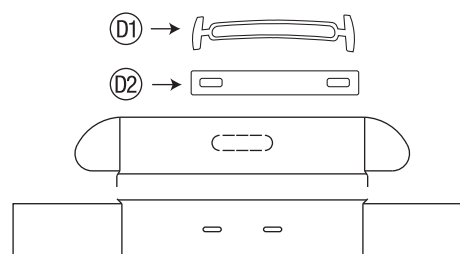
**WHEEL CHOCKS:** The 12" PopStops® Unit when used as a **wheel chock** is designed to prevent a car or trailer from moving only once it has been parked.

**UNIT CLEANING:** Clean with general purpose spray cleaner, a terry type towel, and dry.

**GRAPHICS CLEANING:** Clean graphics with warm water, a terry type towel, and air dry.

## INSTALLING BOX HANDLE

Protect your PopStops® unit while moving it from one location to another. Convenient to bring to tradeshow, tailgate parties & more!



- STEP 1:** Remove the perforated holes in the box.
- STEP 2:** Place plate (D2) on the inside of the box lining up the slots.
- STEP 3:** Gently twist one side of the handle (D1) and insert into top of box with holes (*the plate will be on the underside*). Repeat with the other side.



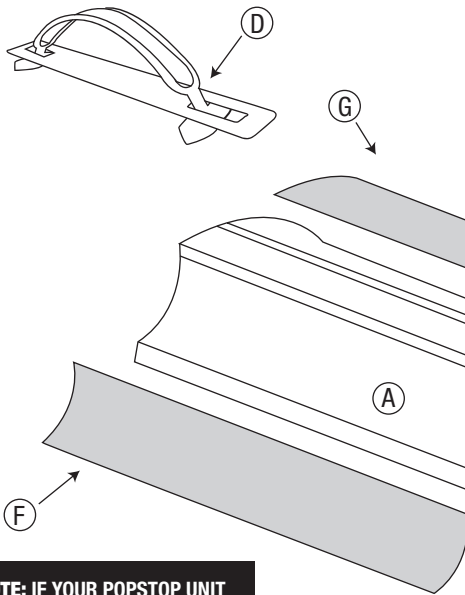
MADE IN USA

OVER

# GET STARTED

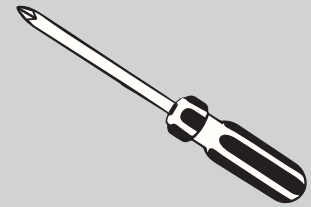


## GRAPHIC INSTALLATION INSTRUCTIONS:



- (A) PopStops® Unit - based on your selected purchase size
- (B) End Caps
- (C) Stainless Steel Screws
- (D) Handle set - 1 Handle and 1 Backer Plate
- (E) PopStops® Placement Floor Decal
- (F) Parking Side Graphic - width varies based on unit size
- (G) Back Side Graphic - width varies based on unit size

### TOOLS NEEDED:



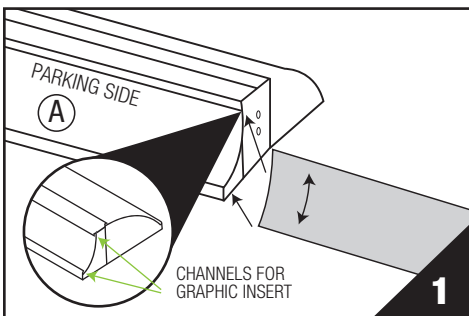
Phillips Head Screwdriver

**NOTE: NEVER USE A DRILL. OVER TIGHTENING MAY STRIP THE SCREWS OR CRACK THE END CAPS**

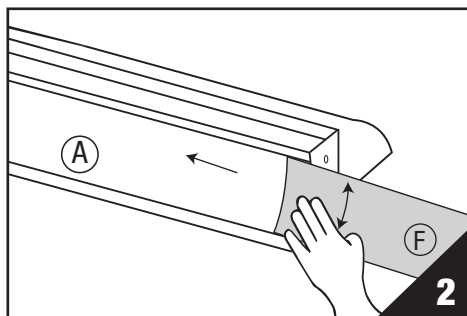


**TIP: ALWAYS START THE SCREWS BY HAND!! NEVER USE POWER DRILLS TO INSTALL THE SCREWS. USE A STANDARD "PHILLIPS HEAD SCREWDRIVER" ONLY. POWER TOOLS CAN STRIP THE THREADS.**

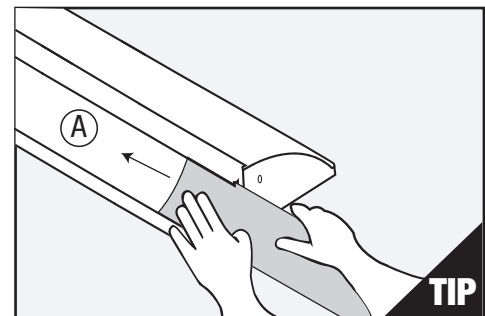
**NOTE: IF YOUR POPSTOP UNIT CAME PRE-INSTALLED WITH GRAPHICS, SKIP TO STEP 5.**



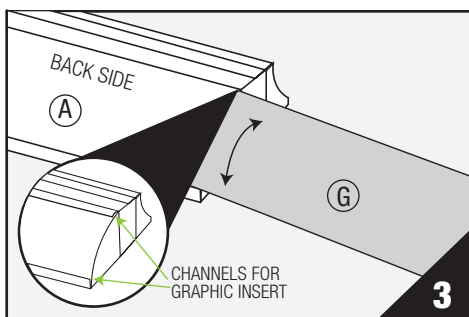
**STEP 1:** Slightly bend the **Parking Side Graphic** so it is curved to fit the arc of the unit. Insert the arched graphic into the channels.



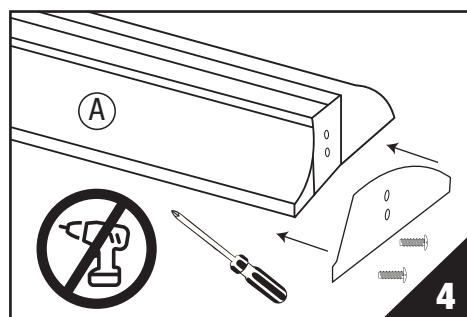
**STEP 2:** Gently slide the graphic artwork into the unit. Keep your fingers within 1-2 inches of the unit. Apply pressure as it slides along the unit all the way across.



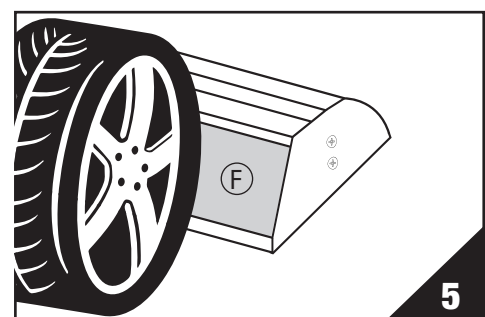
**TIP:** If the graphic is a tight fit, push the middle of the graphic to the curve of the unit as you feed the graphic into the channel. Don't push from more than 1-2 inches away from the unit because the artwork will bend.



**STEP 3:** Slightly bend the **Back Side Graphic** and insert into the channels. This side may pop out as you are inserting because of the larger surface area. Pop it back in with your finger sliding along the edges.



**STEP 4:** Place end caps on each end one at a time. They will fit exactly into place. Insert the screws and start them by hand. Finish with a Phillips Head Screwdriver. **DO NOT OVERTIGHTEN OR USE POWER TOOLS.**



**STEP 5 :** Park your car in the desired stopping point in your garage. Place the PopStops® unit against either the front left or right tire (*your choice*).

MADE IN USA

OVER